



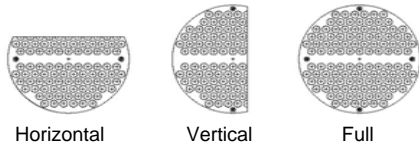
Tube & Coil Products, Inc.

U-TUBE BUNDLE (in tank/service)

FAX TO: (203) 281-7368 TO RECEIVE YOUR QUOTE

BAFFLE CUT ORIENTATION

(circle one)

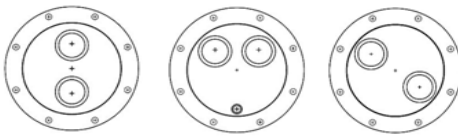


Horizontal Vertical Full

NUMBER OF BAFFLES:

NUMBER OF PASSES

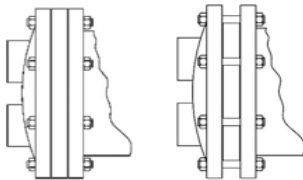
(circle one)



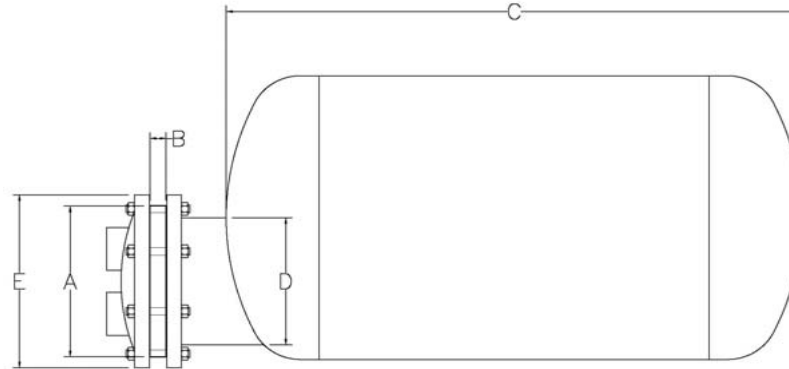
2-Pass 4-Pass 6-Pass

BOLTING INFORMATION:

(circle one)



Full Face Boltless Tube Sheet



DIMENSIONAL INFORMATION:

<u>A:</u>	<u>B:</u>	<u>C:</u>	<u>D:</u>	<u>E:</u>

MATERIALS OF CONSTRUCTION:

<u>TUBE SHEET:</u>	<u>U-TUBES (MATERIAL):</u>	<u>TUBE OD & THICKNESS:</u>	<u>BAFFLES:</u>

BOLTING INFORMATION: (if applicable)

<u>NUMBER OF BOLTS:</u>	
<u>BOLT HOLE DIAMETER:</u>	
<u>BOLTING MATERIAL:</u>	
<u>BOLT CIRCLE DIAMETER:</u>	

ADDITIONAL NOTES:

--

(Check Appropriate Boxes)	<u> Tubeside </u>	<u> Shellside </u>	CURRENT UNIT:	Contact Information:	
				Company:	
Water			Manufacturer:	Name:	
Domestic Water				Phone:	
High-Temp. Water				Email:	
Low-Pressure Steam			Model Number:	Date:	
High-Pressure Steam					

J.F.D. Tube & Coil Products, Inc.

7 Hamden Park Drive
Hamden, CT 06517

Phone: (203) 288-6941 Toll Free: (800) 824-2664

Fax: (203) 281-7368

Website: www.jfdcoil.com Email: info@jfdcoil.com