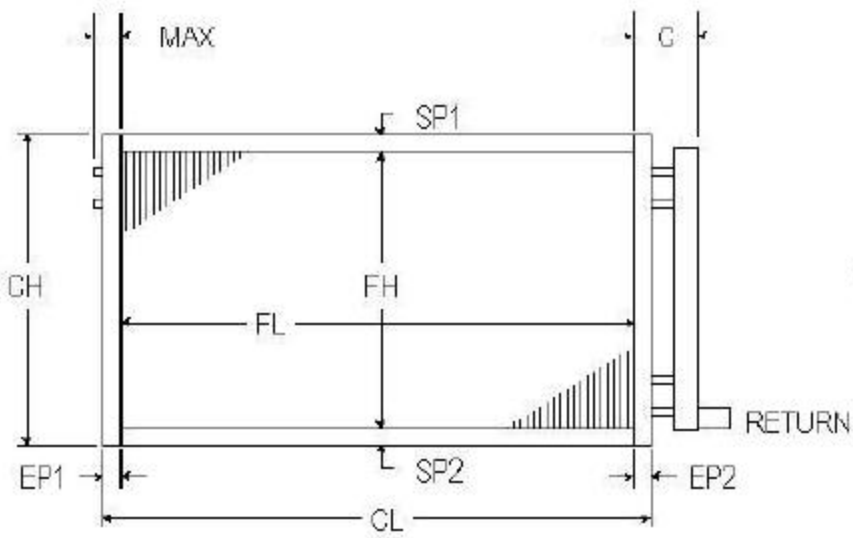
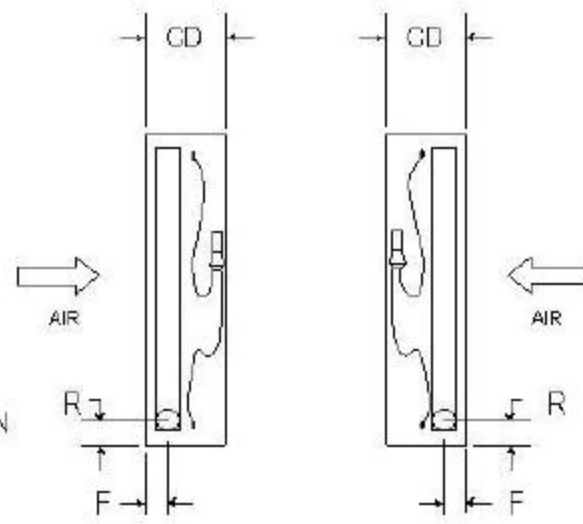


DX COILS

ROWS AVAILABLE	1	2	3	4	5
	6	8	10	12	
FPI AVAILABLE	6	7	8	9	10
	11	12	13	14	
TUBES OD & Wall Thickness	5/8	.020		.025	
COPPER ONLY	1/2	.035		.049	
FINS Material & Thickness	ALUM.	.006		.010	
	COPPER	.006			
CASING	16 GA. GALV. STEEL				
	16 GA. STAINLESS STEEL				
HEADERS COPPER ONLY	5/8	7/8	1 1/8		
	1 3/8	1 5/8	2 1/8		
	2 5/8	3 1/8			

RIGHT HAND

LEFT HAND



DIMENSIONAL DATA IN INCHES

RETURN

CONNECTION SIZES SWEAT

ITEM	QTY	ROWS	FPI	SP1	FH	SP2	CH	EP1	FL	EP2	CL	MAX	C	OAL	L	CD	R	F	DISTRIBUTOR	RETURN	CU

P.O. #											CUSTOMER										
W.O. #											MODEL NO.										
APPROVED BY											TAG:										
DATE											NOTES										

JFD Tube & Coil Products, Inc.
 PO Box 6309 / 7 Hamden Park Dr
 Hamden, CT 06517
 Ph: (800) 824-2664 Fx: (203) 281-7368
 Visit Our Website: www.jfdcoil.com

Performance Data	CFM					EAT					EVAPORATOR TEMP					REFRIGERANT					CAPACITY				
------------------	-----	--	--	--	--	-----	--	--	--	--	-----------------	--	--	--	--	-------------	--	--	--	--	----------	--	--	--	--